

SL30WN

- ▶ Engine model: Weichai WP6G125E201
- ▶ Rated power: 92 kW/2000 rpm
- ▶ Operating weight: 10.3 t

Product features

Another small offering in wheel loaders, the SL30WN still offers mid-range performance for its size. The sealed glass cabin offers a wide field of vision and a shock absorbing seat for greater driver comfort and safety.



SHANTUI

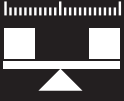
VALUE THAT WORKS


SL30WN


Technical specifications:


	Extended Arm	Long Arm
Overall length	7170 mm	7290 mm
Overall width	2484 mm	2484 mm
Overall height	3235 mm	3235 mm

SL30WN

 GENERAL SPECIFICATIONS	Operating weight	10300 kg
	Related loading	3000 kg
	Bucket capacity	1.7 m ³
	Maximum lifting force	105 kN
	Static tipping load (full turn)	6000 kg
	Dumping height (Extended/Long)	3057/3200 mm
	Dumping reach (Extended/Long)	906/886 mm

 ENGINE	Engine model	Weichai WP6G125E201
	Type	In-line, water-cooled, 6-cylinder, direct injection, turbocharged
	Rated power	92 kW
	Rated speed	2000 rpm
	Displacement	6.75 L
	Maximum torque	540 N·m
	Minimum fuel consumption	217 g/kW·h

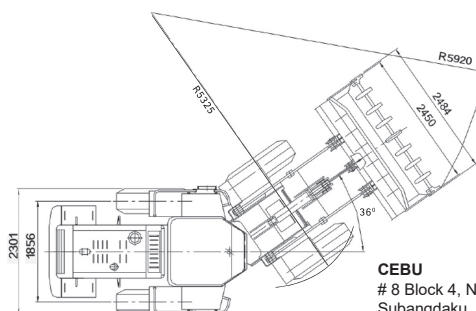
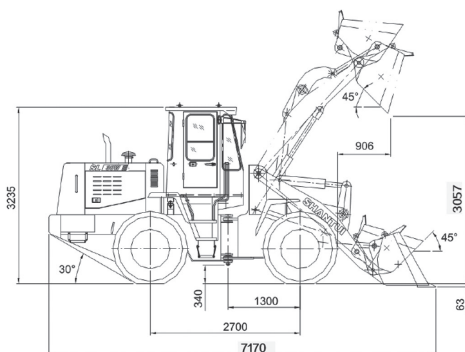
 TRAVEL SPEED	Gear	1st	2nd	3rd	4th
	Forward	0~7 km/h	0~12 km/h	0~23 km/h	0~37 km/h
	Reverse	0~8.3 km/h	0~28 km/h	-	-

 AXLES AND FINAL DRIVES	DRIVE SYSTEM		Four-wheel drive
	Gradeability		30°
	Maximum traction		110 kN
	BRAKE SYSTEM:	Service brakes	Air over hydraulic disc brakes on 4 wheels
		Parking brake	Manual parking brake
	STEERING SYSTEM:	Type	Articulated type, full-hydraulic power steering
		Maximum steering angle	36° each direction
		The center of outside tire	5325 mm
	TIRES	The center of outside bucket	5920 mm
		Type	17.5-25 12PR
Pattern level		L3	
Center distance of tires		1856 mm	
Wheel base		2700 mm	

 HYDRAULIC SYSTEM	Hydraulic cycle time (rated load in bucket)	Lifting time/ Lifting, dumping and lowering	5.1/9.0 s

OVERALL DIMENSIONS

▶ THE SPECIFICATIONS ARE SUBJECT TO CHANGE WITHOUT NOTICE. THE PICTURES MAY INCLUDE OPTIONS. THE ACTUAL COLOR & APPEARANCE OF THE PRODUCT MAY DIFFER FROM WHAT IS SHOWN.



Cebu 3in1 Marketing Corp.

CEBU
 # 8 Block 4, North Reclamation Area,
 Subangdaku, Mandaue City, 6041
 Cebu Philippines
 Tel.: + 6332 346-2297; 346-0171;
 343-8608; 422-3789
 Fax: +6332 346-2295
 Mobile: +63 917-636-0888
 Email: staff.3in1@yahoo.com

DAVAO
 8 Dacudao st., Davao City
 Email: 3in1marketing.dvo@gmail.com
 Tel.: 082 324-7961
 Mobile: +63 925-588-8585; 917-534-5862

MANILA
 107 Roosevelt Ave.,
 SFDM Brgy. Paraiso, Quezon City
 Tel.: +63 2 84266000
 Mobile: +63 956-725-4012