

SHANTUI

SD16

Crawler Dozer



Engine Model: WP10G178E355
Gross Power: 131kW(175hp)@1850rpm
Operating Weight: 16,280kg

Shantui Torqflow Travel Drive
powershift transmission

SD16 SPECIFICATIONS

ENGINE		SD16	SD16C	SD16E	SD16L	SD16R
Engine		WEICHAI WP10G178E355				
Emission		China-III				
Rated revolution		1850rpm				
Gross power		131kW(175hp)@1850rpm				
Net power		120kW(160hp)@1850rpm				
Number of cylinder-bore×stroke		6-126X130mm				
Displacement		9.726L				
Max. torque		830N.m@1100-1200rpm				
Cooling system		Mechanic fan				
DRIVE SYSTEM		SD16	SD16C	SD16E	SD16L	SD16R
Drive system		Manufactured by SHANTUI, with high working efficiency, low breakdown rate; torqflow transmission, 3 gears forward and 3 gears backward.				
Traveling speed	Forward	0-3.29km/h, 0-5.82km/h, 0-9.63km/h				
	Backward	0-4.28km/h, 0-7.59km/h, 0-12.53km/h				
Torque converter		3-element, single stage, 1-phase				
Transmission		Planetary gear and torqflow transmission hydraulically actuated, forced lubrication				
Bevel gear shaft		Spiral bevel gear, single-stage speed reduction, splash lubrication				
Steering clutch		Wet multiple disc, disc spring loaded, hydraulically actuated, hand operated, interconnected with steering brake.				
Brake		Wet, contracting band, foot operated with hydraulic booster				
Final drive		Spur gear, double reduction, splash lubrication				
CHASSIS SYSTEM		SD16	SD16C	SD16E	SD16L	SD16R
Type		Swing type of sprayed beam, suspended structure of equalizer bar				
Track shoe type		Single grouser	Single grouser	Single grouser	Wetland type	Wetland type
Track gauge		1880mm	1880mm	1880mm	2300mm	2300mm
Width of track shoe		510/560/610mm	610mm	560mm	1100/950mm	1100/660mm
Track grounding length		2430mm	2430mm	2635mm	2935mm	2935mm
Track grounding area		27642cm ²	33062cm ²	32648cm ²	70730cm ²	70730cm ²
Number of track shoe		37pcs/side	37pcs/side	39pcs/side	42pcs/side	42pcs/side
Grounding pressure (standard configuration)		58kPa	50kPa	50kPa	25kPa	25kPa
Number of carrier roller, pcs/side		2	2	2	2	2
Number of track roller, pcs/side		6	6	7	7	7
Pitch		203mm	203mm	203mm	203mm	203mm
REFILL CAPACITY		SD16	SD16C	SD16E	SD16L	SD16R
Fuel capacity		315L	315L	315L	315L	315L
Coolant liquid capacity		62.8L	62.8L	62.8L	62.8L	62.8L
Engine oil capacity		24L	24L	24L	24L	24L
Hydraulic oil tank		112L	112L	112L	112L	112L

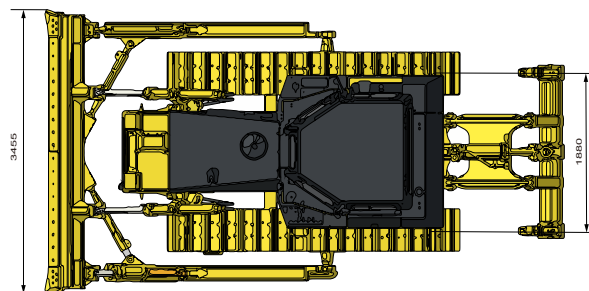
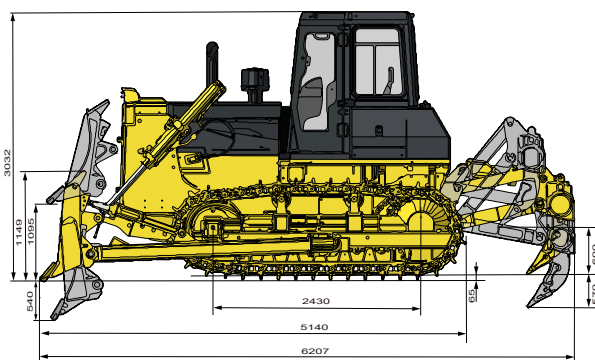
Transmission	52L	52L	52L	52L	52L
Drive axle	70L	70L	70L	70L	70L
Final drive	21L/side	21L/side	21L/side	25L/side	25L/side

OPERATING WEIGHT	SD16	SD16C	SD16E	SD16L	SD16R
Standard	16280kg	16780kg	16810kg	18250kg	18460kg

BLADE	SD16	SD16C	SD16E	SD16L	SD16R
Blade type	Straight-tilt / U	Coal-U	Straight-tilt	Straight-tilt	R blade
Blade capacity	3.5m ³ /4.8m ³	6m ³	3.5m ³	3m ³	8.3m ³

DIMENSION	SD16	SD16C	SD16E	SD16L	SD16R
Machine height (without ROPS)	3032mm	3032mm	3032mm	3074mm	3074mm
Track grouser height	65mm	65mm	65mm	101.5mm	101.5mm
Ground clearance	400mm	400mm	400mm	400mm	400mm
Machine length (with draw bar)	5140mm	5427mm	5345mm	5262mm	5262mm
Max. lifting height of blade	1095mm	1095mm	1095mm	1005mm	1005mm
Max. digging depth of blade	540mm	540mm	540mm	485mm	485mm
Digging angle of blade	55°±3°(deg.)				
Blade width	3455/3556mm (Straight-tilt/U)	3900mm	3455mm	4150mm	4150mm
Blade height	1149/1120mm (Straight-tilt/U)	1235mm	1149mm	960mm	1590mm
Width from end of left track shoe to end of right track shoe (standard)	2390mm	2490mm	2440mm	3400mm	3400mm

RIPPER	
Type	Three-shank ripper
Weight	1631kg
Max. ripping depth	460mm
Max. lifting height	600mm
Ripper length (at deepest ripping)	1580mm
Ripper width	2080mm
Departure angle (at highest lifting)	32.1°
Ripping width	1900mm
Distance between ripper teeth	950mm



* THE SPECIFICATIONS ARE SUBJECT TO CHANGE WITHOUT NOTICE. THE PICTURES MAY INCLUDE OPTIONS. THE ACTUAL COLOR & APPEARANCE OF THE PRODUCT MAY DIFFER FROM WHAT IS SHOWN.

SHANTUI CONSTRUCTION MACHINERY CO., LTD.

ADD: No. 58, G327 Highway Jining City, Shandong, CHINA

TEL: +86-537-2909369

FAX: +86-537-2311219

EMAIL: trade@shantui.com

WEB: www.shantui.com

SHANTUI
VALUE THAT WORKS